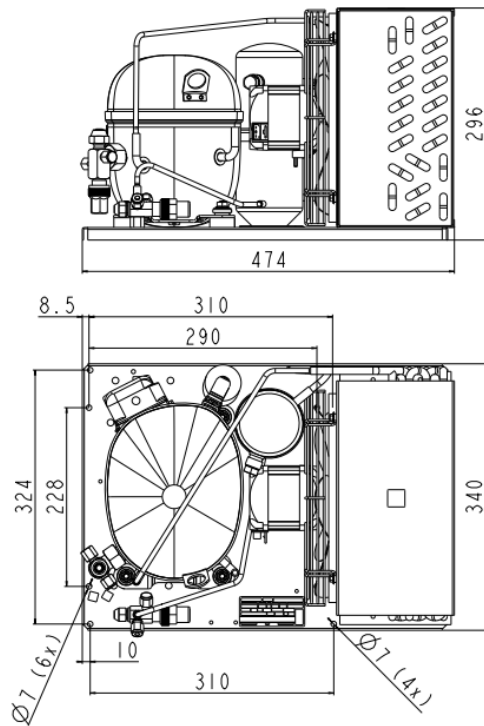


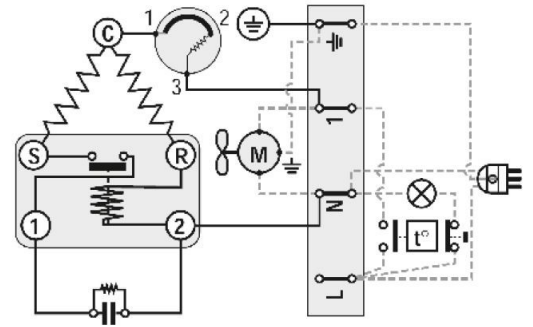
### GENERAL DATA

<b>Application:</b>	LBP
<b>Refrigerant:</b>	R404A
<b>Expansion Device:</b>	C-V
<b>Weight:</b>	25.8 kg
<b>Receiver:</b>	0 liter
<b>Voltage/Frequency:</b>	<b>200 - 240 V 50 ~</b> <b>230 V 60 ~</b>
<b>Height:</b>	25.8 mm
<b>Length:</b>	474 mm
<b>Width:</b>	340 mm
<b>Institute Approvals:</b>	<b>CE</b>

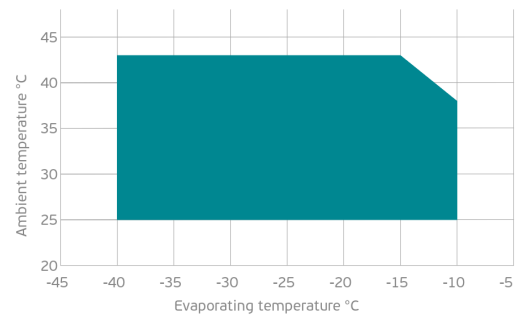
### EXTERNAL DIMENSIONS



### WIRING DIAGRAM



### OPERATING ENVELOPE



### COMPONENTS (SPARE PARTS)

<b>fankit:</b>	16W 254/28/5B	1996579
<b>elkit:</b>	ELKOM NT2168GK	922DN0412A

<b>condenser:</b>	4R11T	2451217
<b>compressor:</b>	NT2168GK	922DN04..AC

For additional accessories please contact our technical support

**ELECTRICAL DATA**

**Motor Type:** CSIR -  
**Locked Rotor Amperage (LRA):** 25 A  
**Max.Current:** 4.25 A

At maximum evaporating temperature and maximum ambient temperature.

**FAN MOTOR**

**Number:** 1 -  
**Shaft Power:** 16 W  
**Air Flow:** 460 m<sup>3</sup>/h  
**Blade Diameter:** 254 mm

**PERFORMANCE CURVE DATA**

Standard: EN13215-RG20 / return gas 20°C, subcooling 3K

50 Hz

	Evaporating Temperature (°C)	Cooling Capacity (W)	Power Consumption (W)	Current Consumption (A)	Efficiency (W/W)
25 °C Ambient Temperature	-10°C	1 321	697	4.44	1.90
	-15°C	1 096	627	4.13	1.75
	-20°C	887	563	3.87	1.57
	-25°C	700	503	3.64	1.39
	-30°C	536	444	3.44	1.21
	Rated point -35°C	399	385	3.24	1.04
	-40°C	293	325	3.04	0.90
32 °C Ambient Temperature	-10°C	1 203	719	4.58	1.67
	-15°C	995	647	4.26	1.54
	-20°C	805	580	3.98	1.39
	-25°C	634	518	3.75	1.22
	-30°C	486	458	3.54	1.06
	Rated point -35°C	365	398	3.34	0.92
	-40°C	273	336	3.15	0.81
43 °C Ambient Temperature	-15°C	854	688	4.54	1.24
	-20°C	681	616	4.23	1.11
	-25°C	527	549	3.98	0.96
	-30°C	395	485	3.75	0.81
	Rated point -35°C	288	421	3.54	0.68
	-40°C	209	357	3.34	0.59