

EN 12900 Household (CECOMAF) 220V, 50Hz, 2W PTC consumption incl., static cooling

Evap. temp in °C	-45	-40	-35	-30	-25	-23.3	-20	-15	-10	-6.7	-5	0	5	7.2	10	15	20
Capacity in W			71.6	99.5	134	147	176	228	290								
Power cons. in W			107	125	142	148	160	179	200								
Current cons. in A			1.07	1.11	1.17	1.19	1.23	1.31	1.39								
COP in W/W			0.67	0.80	0.94	0.99	1.10	1.27	1.45								

EN 12900 Household (CECOMAF) 220V, 50Hz, RC 4µF, 2W PTC consumption incl., static cooling

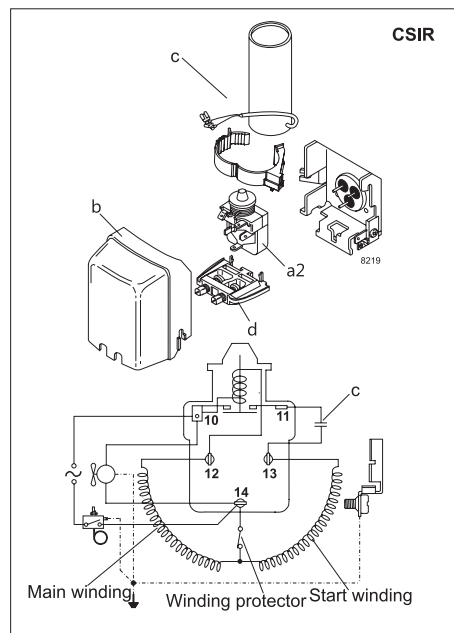
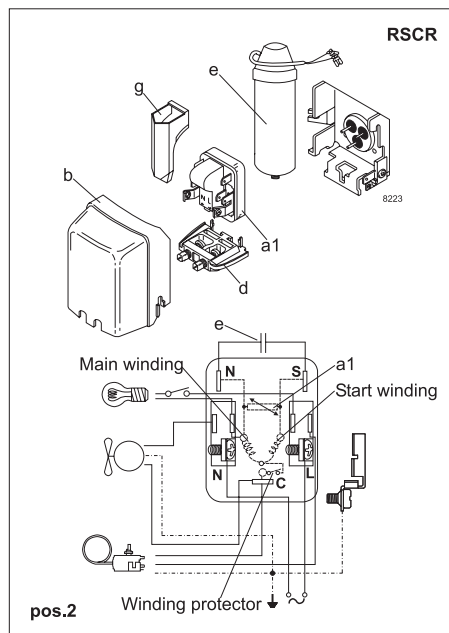
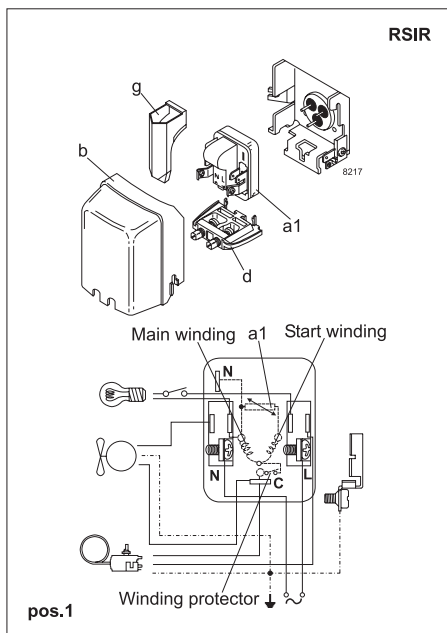
Evap. temp in °C	-45	-40	-35	-30	-25	-23.3	-20	-15	-10	-6.7	-5	0	5	7.2	10	15	20
Capacity in W			71.6	99.5	134	147	176	228	290								
Power cons. in W			99.5	116	133	138	149	166	186								
Current cons. in A			0.69	0.74	0.80	0.82	0.87	0.94	1.03								
COP in W/W			0.72	0.85	1.01	1.07	1.19	1.37	1.56								

ASHRAE LBP 220V, 50Hz, 2W PTC consumption incl., static cooling

Evap. temp in °C	-45	-40	-35	-30	-25	-23.3	-20	-15	-10	-6.7	-5	0	5	7.2	10	15	20
Capacity in W			88.7	123	166	183	218	282	359								
Power cons. in W			107	125	142	148	160	178	199								
Current cons. in A			1.07	1.11	1.17	1.19	1.23	1.30	1.38								
COP in W/W			0.83	0.98	1.17	1.23	1.37	1.58	1.80								

ASHRAE LBP 220V, 60Hz, RC 4µF, 2W PTC consumption incl., static cooling

Evap. temp in °C	-45	-40	-35	-30	-25	-23.3	-20	-15	-10	-6.7	-5	0	5	7.2	10	15	20
Capacity in W			104	145	195	214	256	331	422								
Power cons. in W			114	133	151	160	169	189	211								
Current cons. in A			0.58	0.65	0.73	0.76	0.82	0.93	1.04								
COP in W/W			0.92	1.09	1.29	1.37	1.52	1.75	2.00								



Accessories for	TLES6.5FT.3	Figure	Code number
PTC starting device	6.3 mm spade connectors	a1	103N0011
	4.8 mm spade connectors	(pos. 1)	103N0018
PTC starting device	6.3 mm spade connectors	a1	103N0016
	4.8 mm spade connectors	(pos. 2)	103N0021
Starting relay	6.3 mm spade connectors	a2	117U6016
Start capacitor 60 µF	6.3 mm spade connectors	c	117U5014
Cover		b	103N2010
Cord relief		d	103N1010
Run capacitor	6.3 mm spade connectors	e	117-7117
	4 µF (optional) 4.8 mm spade connectors	e	117-7119
Protection screen for PTC		g	103N0476

Test conditions	EN 12900/CECOMAF	ASHRAE
Condensing temperature	55°C	54.4°C
Ambient temperature	32°C	32°C
Suction gas temperature	32°C	32°C
Liquid temperature	no subcooling	32°C

Mounting accessories	Code number	
Bolt joint for one comp.	Ø: 16 mm	118-1917
Bolt joint in quantities	Ø: 16 mm	118-1918
Snap-on in quantities	Ø: 16 mm	118-1919

Nidec GA Compressors accepts no responsibility for possible errors in catalogs, brochures, and other printed material. Nidec GA Compressors reserves the right to alter its products without notice. This also applies to products already on order provided that such alterations can be made without substantial changes being necessary to specifications already agreed. All trademarks in this material are the property of the respective companies. Secop and the Secop logotype are trademarks of Nidec Global Appliance Germany GmbH. All rights reserved. www.secop.com