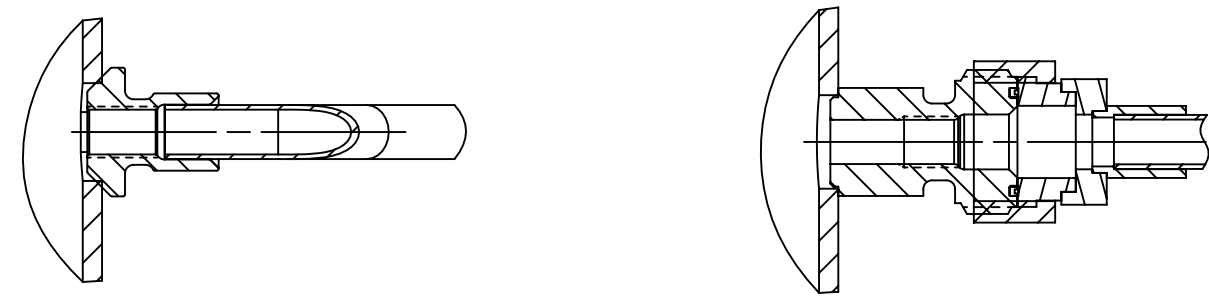


THREAD	TORQUE REQUIREMENTS	
7/16 UNC	90-125 IN LBS	10-14 Nm
1"-14 UNS	600-690 IN LBS	68-78 Nm

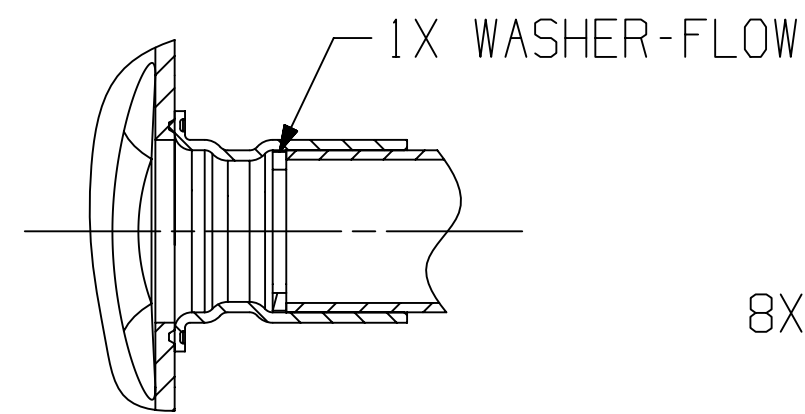
MODEL NUMBER
ZPU171KCE

SPECIFICATIONS	
ES NO.	DESCRIPTION
ES92-155	CONVERSION-METRIC



SECTION B-B  
SCALE 3:4

SECTION C-C  
SCALE 3:4



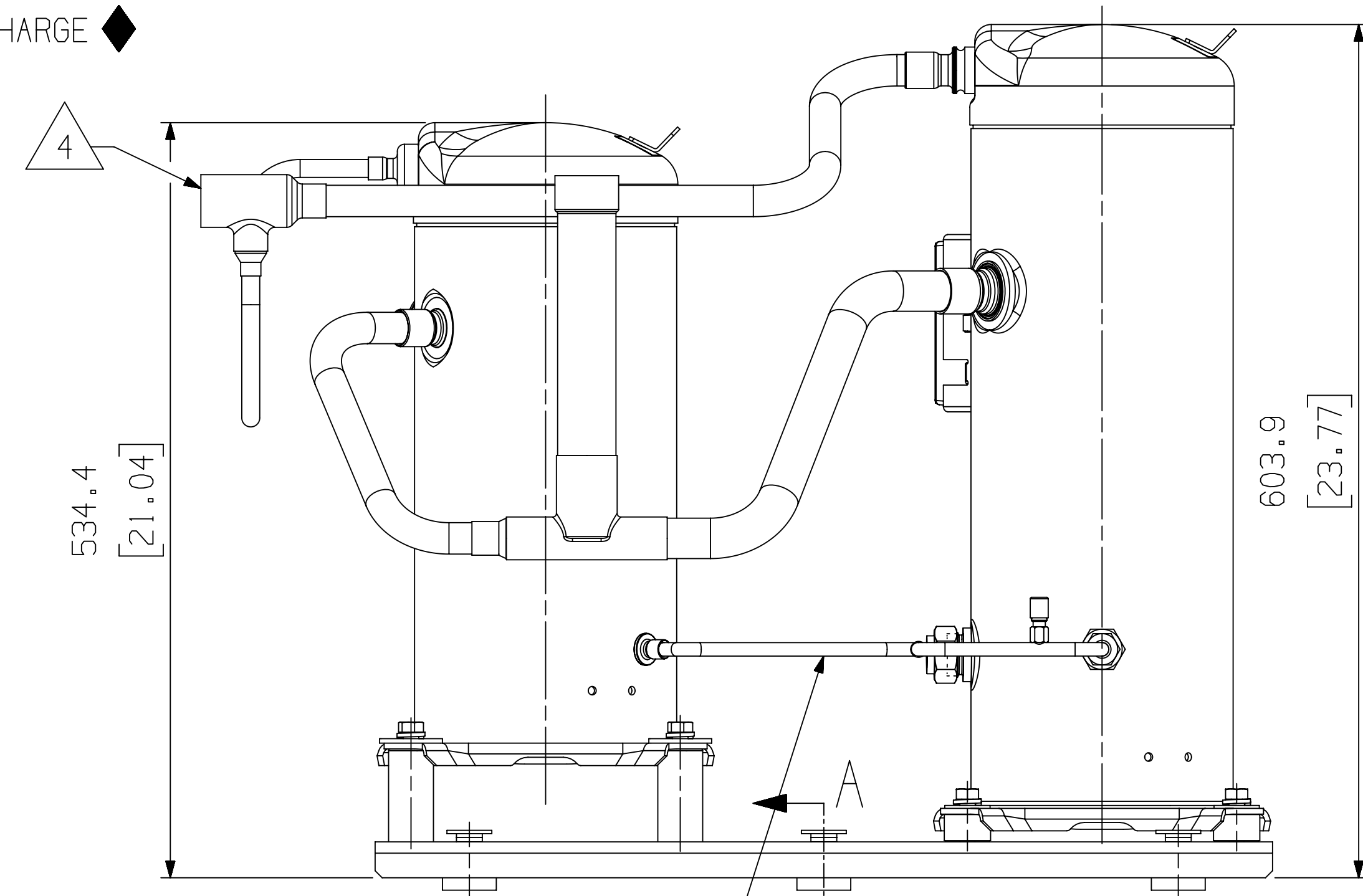
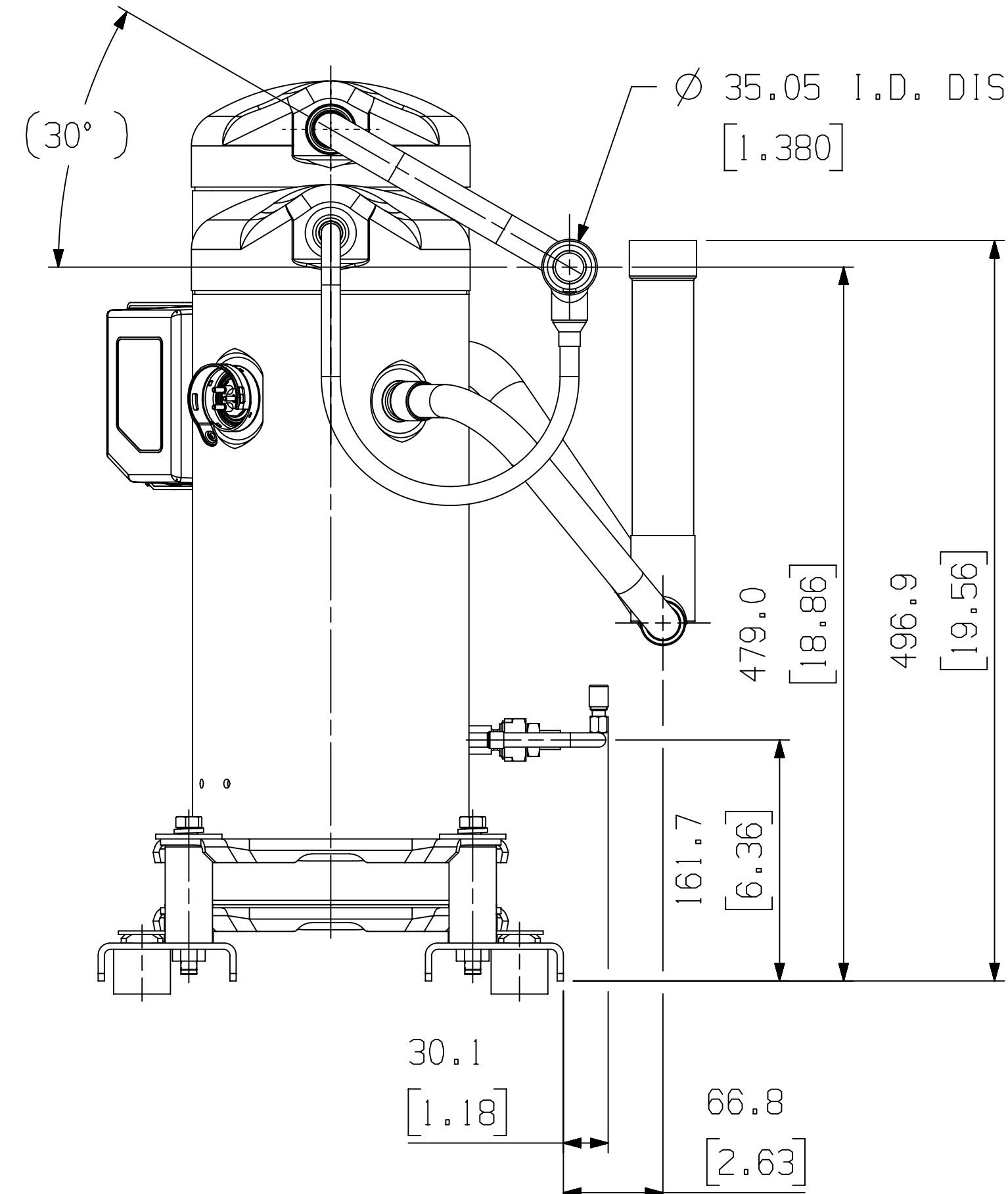
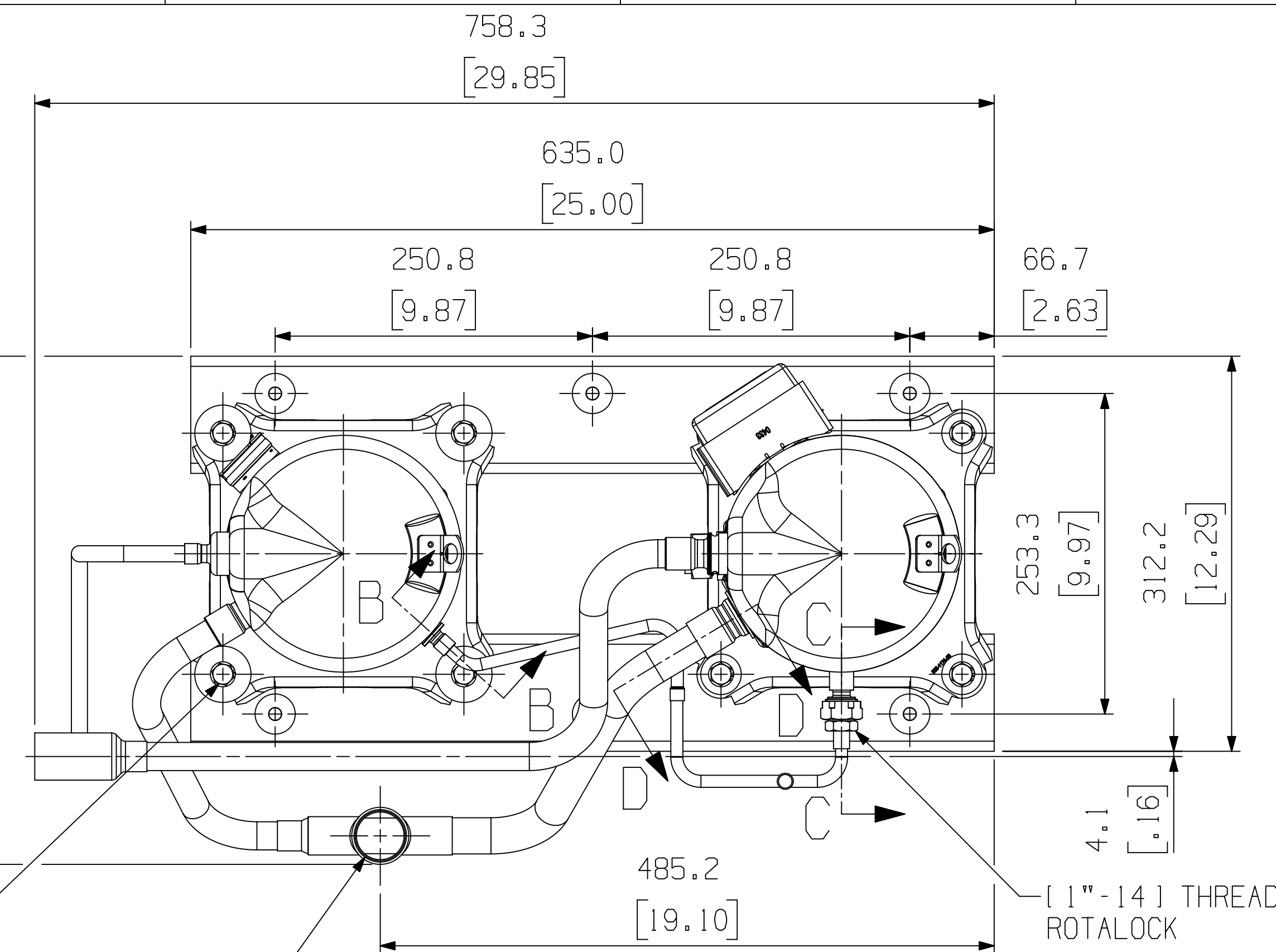
SECTION D-D  
SCALE 3:4

8X [7/16-14 UNC-2A THD]

◆ Ø 41.42 I.D. SUCTION  
[1.631]

◆ Ø 35.05 I.D. DISCHARGE  
[1.380]

◆ Ø 9.53 O.D. OIL EQUALIZATION  
[0.375]



COMPRESSOR "B"

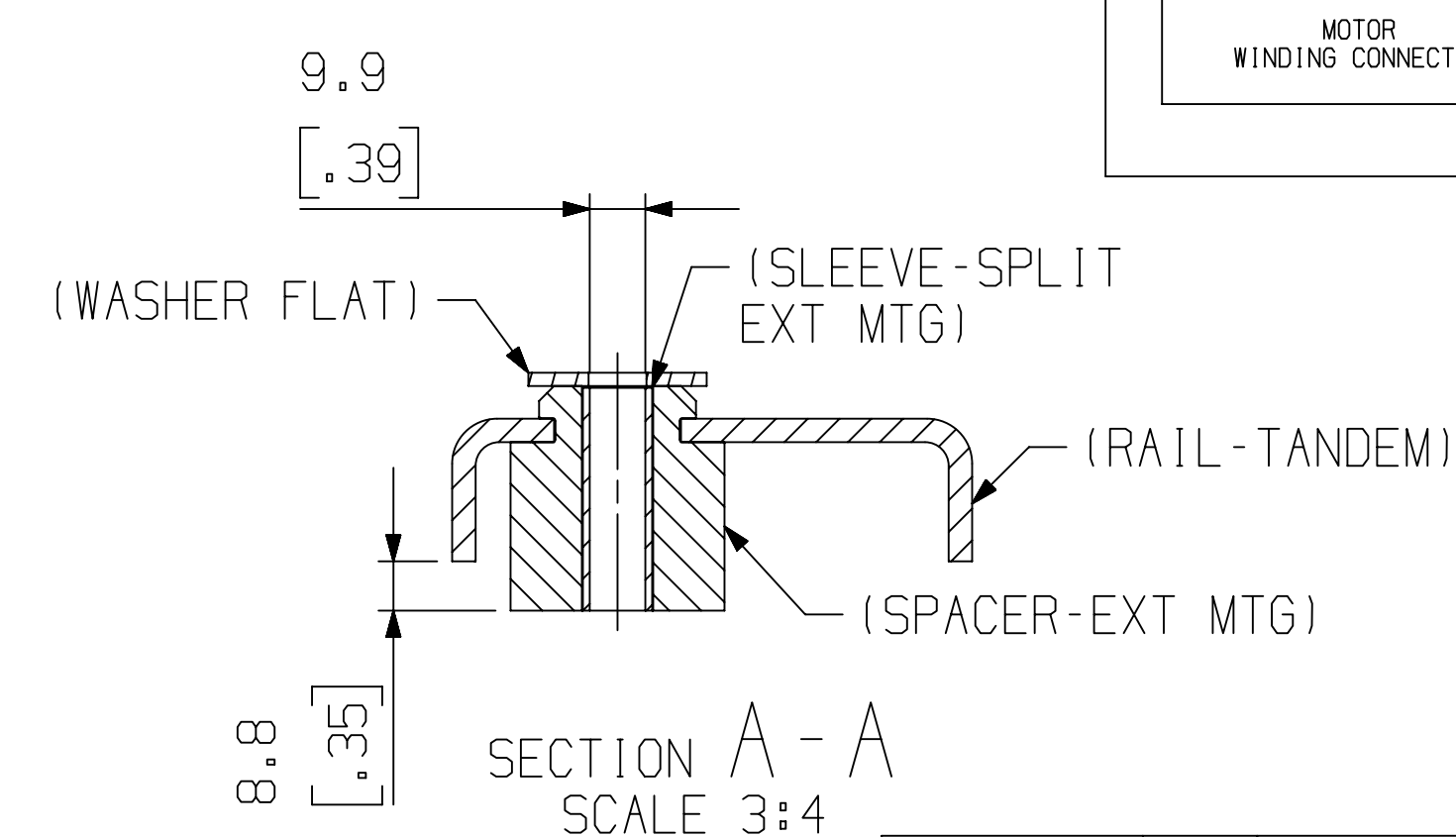
COMPRESSOR "A"

- NOTES:
- 1 ALL TOLERANCE ARE ±1.5 [0.06] UNLESS OTHERWISE SPECIFIED.
  - 2. MOUNTING KIT : 527-0177-00
  - 3. TUBE ENDS MUST BE PLUGGED.
  - 4 SUPPORT FOR DISCHARGE MANIFOLD SHOULD BE NO CLOSER THAN A STRAIGHT DISTANCE OF 355.6 [14.00] FROM DISCHARGE TEE.

COMPRESSOR WIRING DIAGRAM  
THREE PHASE MOTOR WITH  
INTERNAL PROTECTION

USE COPPER CONDUCTORS ONLY. USE THIS ON A GROUNDED SYSTEM ONLY. USE MINIMUM 75° C WIRE FOR AMPACITY DETERMINATION. INTERNAL MOTOR PROTECTION-ALLOW TIME FOR RESET. PRIMARY SINGLE PHASE FAILURE PROTECTION IS PROVIDED. CRANKCASE HEATER, WHEN APPLIED, MUST BE CONNECTED ONLY TO ITS RATED VOLTAGE. OVERCURRENT PROTECTION DEVICE RATING AND TYPE MUST BE IN ACCORDANCE WITH REGULATORY AGENCY END PRODUCT APPROVALS - SEE SYSTEM NAMEPLATE. TO CORRECT IMPROPER MOTOR ROTATION, SWITCH ANY TWO SUPPLY LINES.

MOTOR WINDINGS CONNECTION



SECTION A-A  
SCALE 3:4

OBSOLETE

ECN	REV.	DESCRIPTION	DATE	BY	CHKD	APPR
ECN200249	2	OBSOLETE	08-13-18	SAS	JLS	KJR
ECN200249	1	CHANGED BOLT TORQUE IN TABLE	10-16-17	SAS	JLS	KJR
ECN200249	0	RELEASED	04-13-16	VPV	JLS	KJR

ENG NOTICE NO.	REV. NO.	REVISIONS	DATE	BY	CHKD	APPR

CONFIDENTIALITY NOTICE

THIS DRAWING AND INFORMATION CONTAINED HEREIN ARE THE EXCLUSIVE PROPERTY OF EMERSON CLIMATE TECHNOLOGIES, INC. AND SHALL BE RETURNED UPON DEMAND AND SHALL NOT BE REPRODUCED, IN WHOLE OR IN PART, DISCLOSED TO ANYONE ELSE OR USED, WITHOUT THE WRITTEN CONSENT OF EMERSON CLIMATE TECHNOLOGIES, INC.

MATERIAL SPECIFICATION	DRAWN BY	SUPERSEDES DWG. NO. / REV. NO.
N/A	VPV	497-1889-00/000
	DATE	SCALE
	04-13-16	3:10
	DATE FORMAT:	MM-DD-YY
TITLE	DRAWING NUMBER	SHEET 1 OF 2
REF DWG-WELD COMP ASSM	497-1943-00	4

INTERPRET PER ASME Y14.5M-1994 AND EMERSON CLIMATE TECHNOLOGIES, INC. DESIGN STANDARDS DS2002

DO NOT SCALE DRAWING

THIRD ANGLE PROJECTION

CRITICAL PRODUCT CHARACTERISTICS

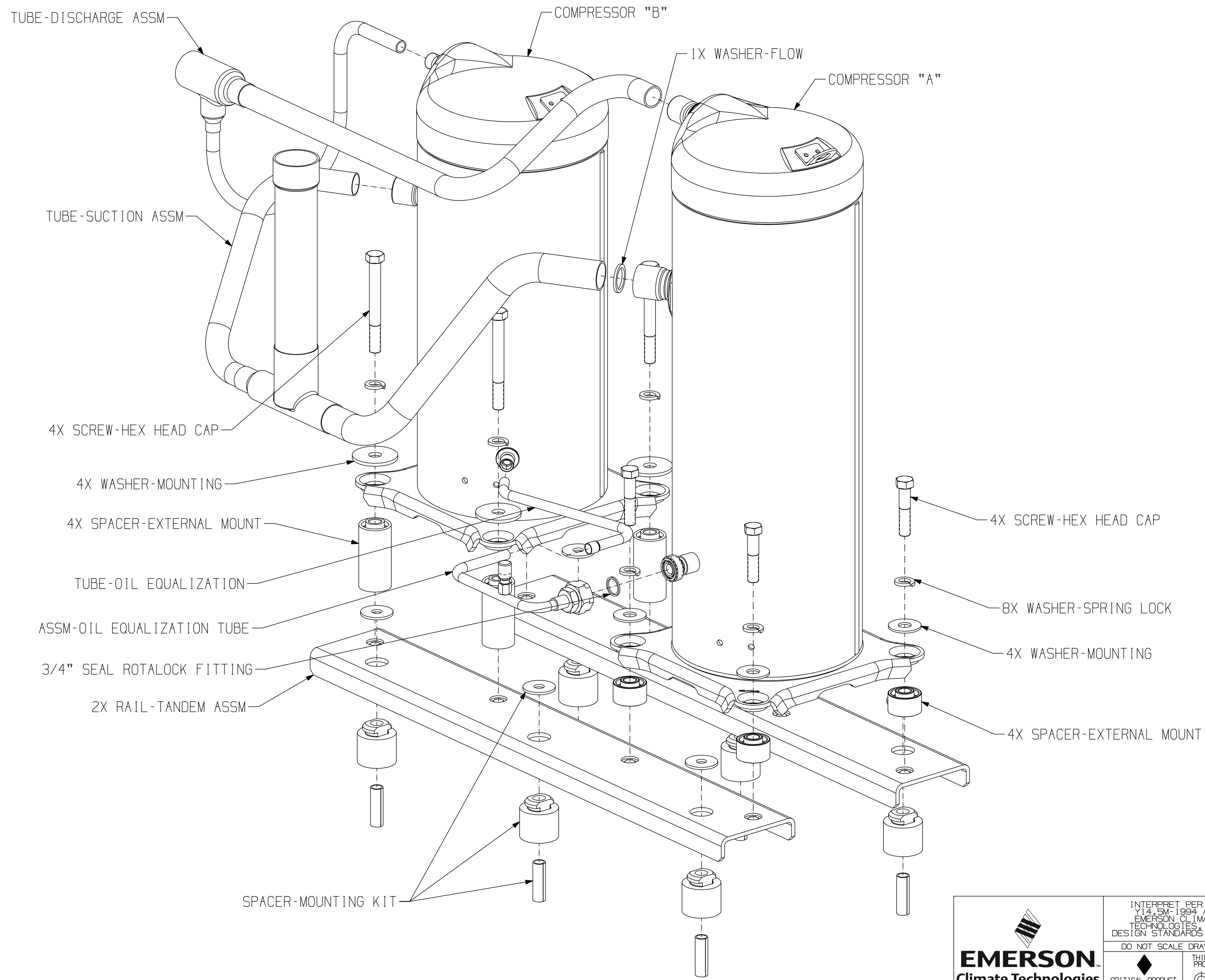
UNLESS OTHERWISE SPECIFIED DIMENSIONS ARE MILLIMETER OR (1 INCH)

TOLERANCES:

1-PLACE ± N/A

2-PLACE ± N/A

ANGULAR ± N/A



OBSOLETE

ECN200249	2	OBSOLETE	08-13-18	SAS	JLS	KJR
ECN200249	1	SEE SHEET 1	10-16-17	SAS	JLS	KJR
ECN200249	0	RELEASED	04-13-16	VPV	JLS	KJR
ENG NOTICE NO.	REV.NO.	REVISIONS	DATE	BY	CHKD	APPR
CONFIDENTIALITY NOTICE						
0	THIS DRAWING AND INFORMATION CONTAINED HEREIN ARE THE EXCLUSIVE PROPERTY OF EMERSON CLIMATE TECHNOLOGIES, INC. AND SHALL BE RETURNED UPON DEMAND AND SHALL NOT BE REPRODUCED IN WHOLE OR IN PART DISCLOSED TO ANYONE ELSE OR USED, WITHOUT THE WRITTEN CONSENT OF EMERSON CLIMATE TECHNOLOGIES, INC.					
MATERIAL SPECIFICATION			DRAWN BY		SUPERSEDES DWG. NO. / REV. NO.	
N/A			VPV		497-1889-00/000	
			DATE		SCALE	
			04-13-16		1:2	
TITLE			DRAWING NUMBER		SHEET 2 OF 2	
REF DWG-WELD COMP ASSM			497-1943-00		4	
					SIZE	

EMERSON  
Climate Technologies

Copeland  
brand products

INTERPRET PER ASME  
Y14.5M-1994 AND  
EMERSON CLIMATE  
TECHNOLOGIES, INC.  
DESIGN STANDARDS DS2002

DO NOT SCALE DRAWING

THIRD ANGLE  
PROJECTION

CRITICAL PRODUCT  
CHARACTERISTICS

UNLESS OTHERWISE SPECIFIED  
DIMENSIONS ARE MILLIMETER OR (1 INCH)

TOLERANCES:  
1-PLACE ± N/A  
2-PLACE ± N/A  
ANGULAR ± N/A