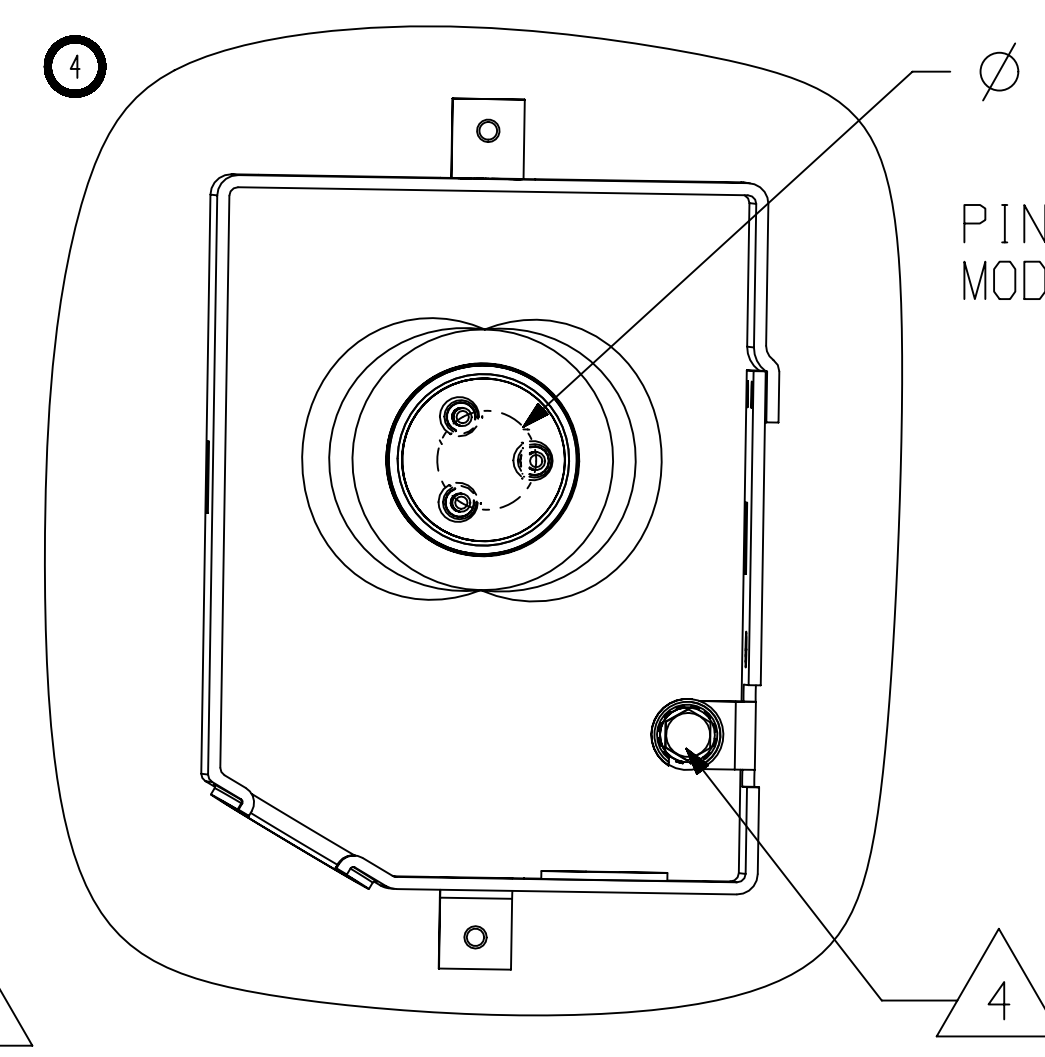
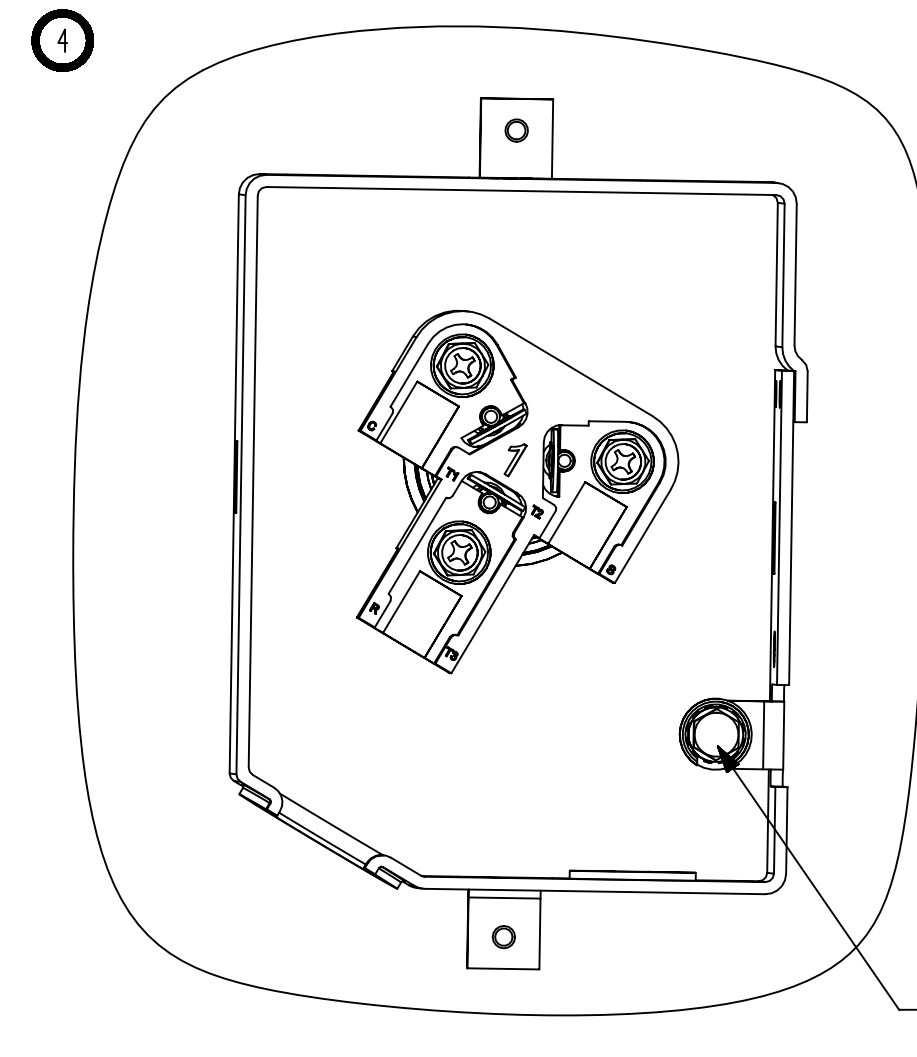
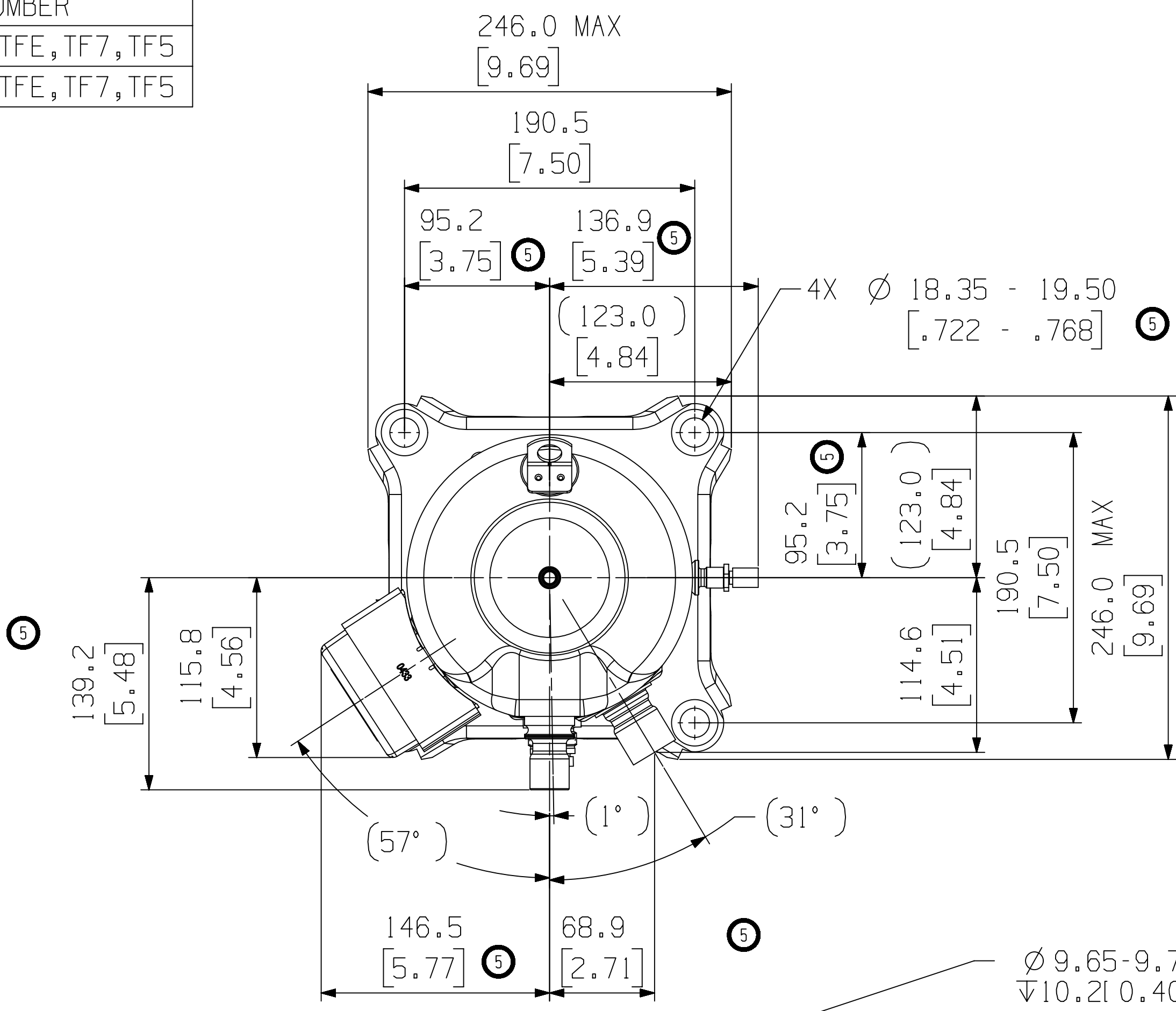
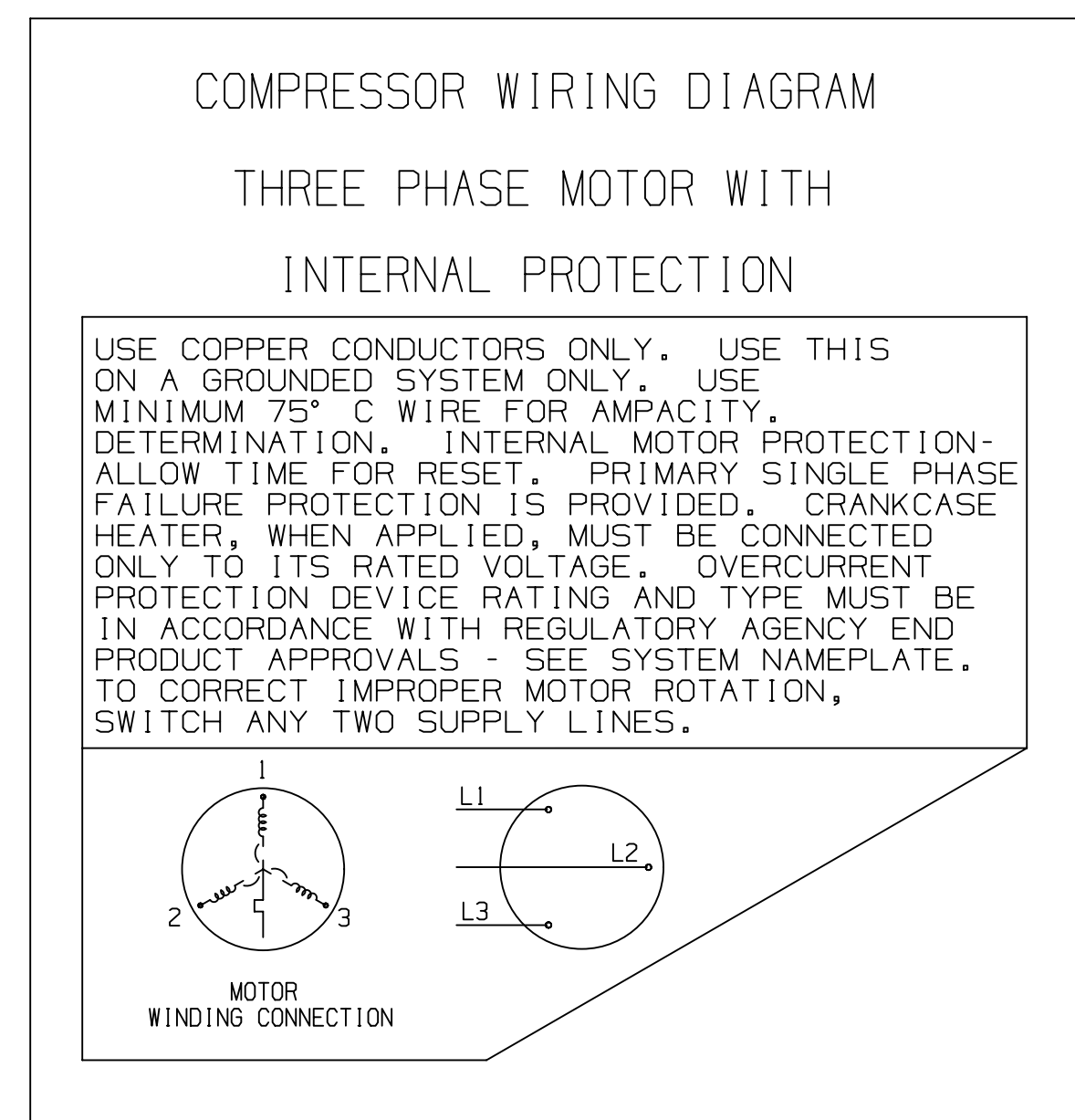
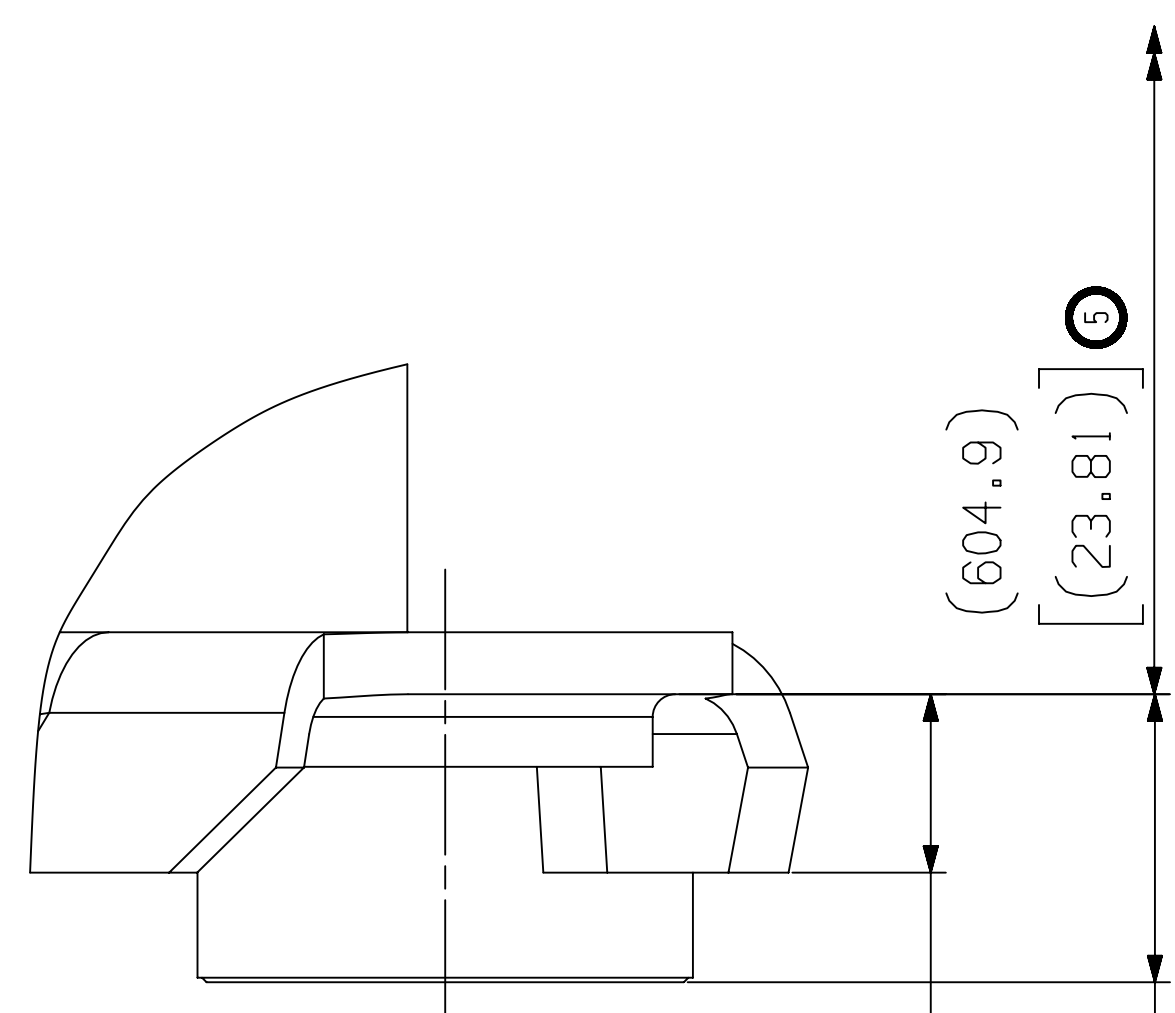
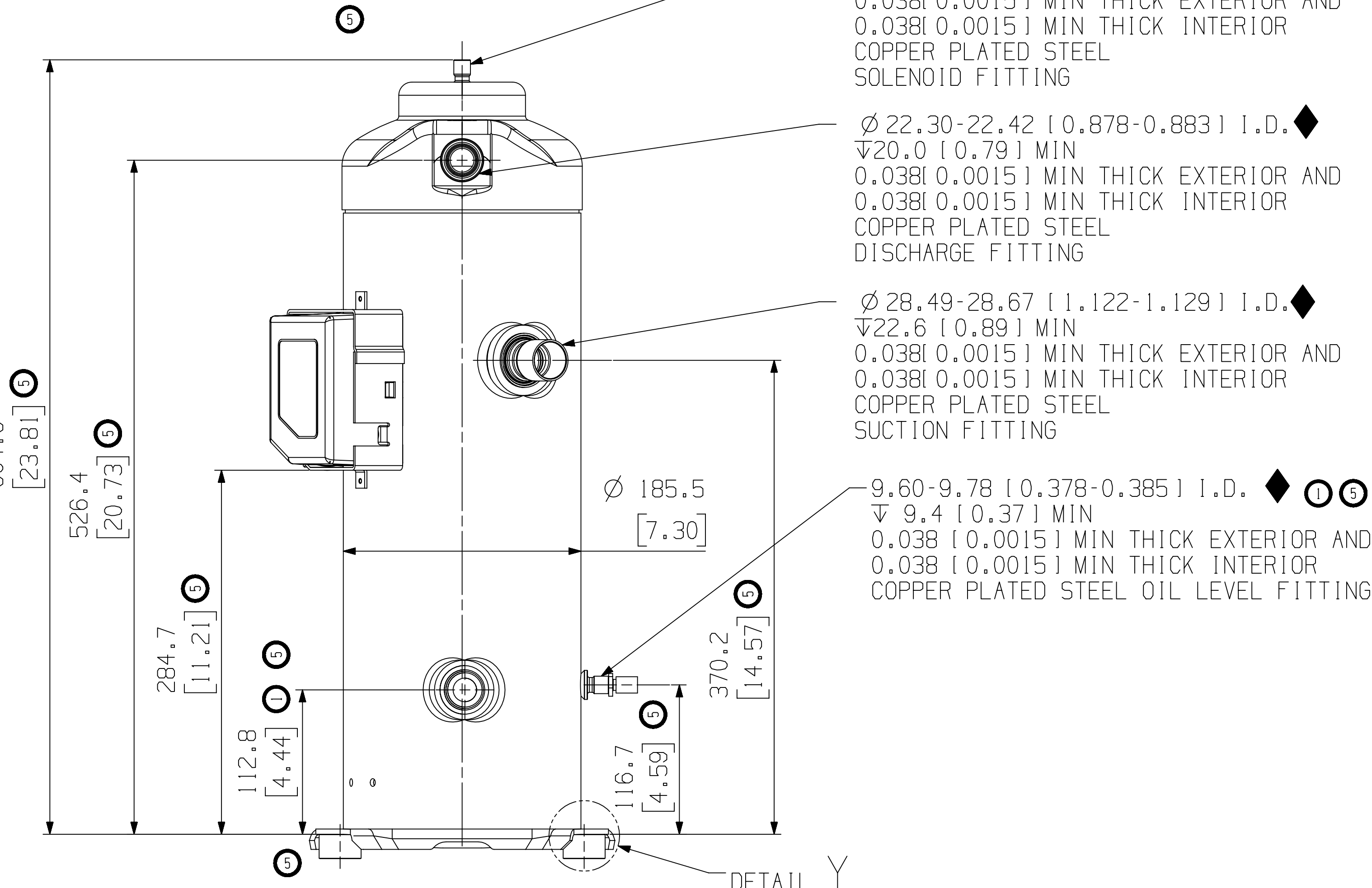


MODEL NUMBER
ZPD122KCE-TFD, TFE, TF7, TF5
ZPD104KCE-TFD, TFE, TF7, TF5

SPECIFICATIONS	
ES NO.	DESCRIPTION
ES92-155	CONVERSION-METRIC



- NOTES:
- 1 ALL TOLERANCES ±1.5 [0.06] UNLESS OTHERWISE SPECIFIED DUE TO ACCUMULATED ASSEMBLY TOLERANCES THE LISTED COMPONENTS MAY VARY FROM THE MOUNTING HOLES AS TABULATED.
 - 2 SUCTION FITTING ±3.0 [0.12]
 - 3 DISCHARGE FITTING ±3.0 [0.12]
 - 4 2. MOUNTING KIT: 527-0182-01.
 - 3. TUBE ENDS MUST BE PLUGGED.
 - 4 GROUNDING SCREW AND WASHER PER BOM.



INTERPRET PER ASME Y14.5M-1994 AND EMERSON DESIGN STANDARDS DS2002

DO NOT SCALE DRAWING

CRITICAL PRODUCT CHARACTERISTICS

UNLESS OTHERWISE SPECIFIED DIMENSIONS ARE MILLIMETER OR (INCH)

TOLERANCES:
1-PLACE : N/A
2-PLACE : N/A
ANGULAR : N/A

ECN	REV.	DESCRIPTION	DATE	BY	CHKD
ECN309753	5	CHANGED DIMENSIONS	01-03-19	SPC	PBM
ECN200586	4	DELETE "L1, L2, L3" MARK	05-20-16	SZ	JXM
ECN102163	3	CHANGED SPACER-MOUNTING KIT	08-31-15	SZ	JXM
ECN004869	2	CORRECTION, WAS: .0385	05-15-14	AZ	JXM
ECN004869	1	UPDATE OIL LEVEL FITTING	04-23-14	CLX	XHT
ECN004869	0	RELEASED	11-05-13	EL	AW

ENG NOTICE NO.	REV.NO.	REVISIONS	DATE	BY	CHKD

CONFIDENTIALITY NOTICE

THIS DRAWING AND INFORMATION CONTAINED HEREIN ARE THE EXCLUSIVE PROPERTY OF EMERSON CLIMATE TECHNOLOGIES, INC AND/OR ITS AFFILIATES (COLLECTIVELY "EMERSON") AND SHALL BE RETURNED UPON DEMAND AND SHALL NOT BE REPRODUCED IN WHOLE OR IN PART, DISCLOSED TO ANYONE ELSE OR USED, WITHOUT THE WRITTEN CONSENT OF EMERSON.

MATERIAL SPECIFICATION	DRAWN BY	SUPERSEDES DWG NO / REV NO
N/A	EL	497-1333-00 / 000
	DATE	SCALE
	11-05-13	3:8
TITLE	DRAWING NUMBER	SHEET 1 OF 1 DWG
REF DWG-WELD COMP ASSM	497-1578-00	4