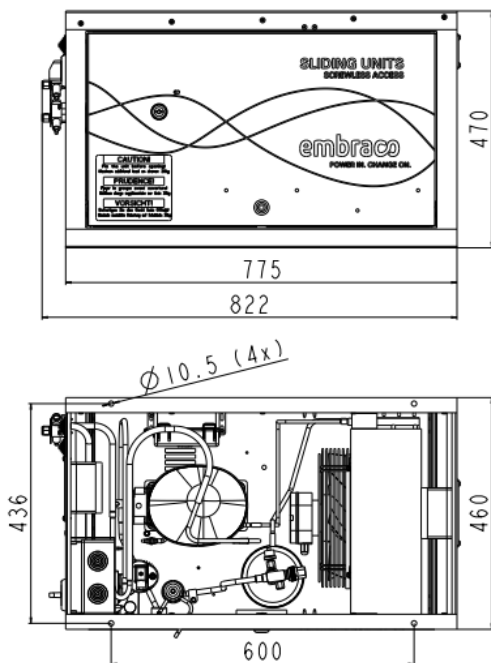


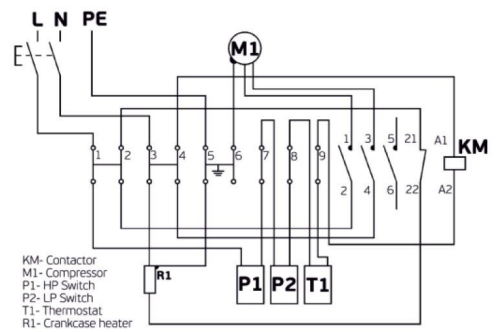
GENERAL DATA

Application:	M/HBP
Refrigerant:	R404A
Expansion Device:	C-V
Weight:	60 kg
Receiver:	2.3 liter
Voltage/Frequency:	220 - 240 V 50 ~
Height:	60 mm
Length:	822 mm
Width:	460 mm
Institute Approvals:	CE

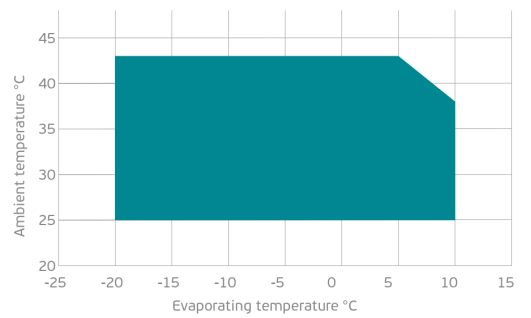
EXTERNAL DIMENSIONS



WIRING DIAGRAM



OPERATING ENVELOPE



COMPONENTS (SPARE PARTS)

valve_suca:	SOLDER 1/2"	2110118
dryer:	FILTER DRYER 10MM ODF	2730010
lpressostat:	PS1-A3K	2466036
condenser:	3R12T	2451226
heater:	CRANKCASE HEATER 230V/40W	2464205
compressor:	NEK6217GK	959GA51..AN

valve_disch:	SOLDER 3/8"	2110119
sightglass:	SIGHT GLASS 10MM ODF	2464040
hpressostat:	P100CP-106D	2466034
fankit:	AXIAL FAN 230V/50HZ/1PH	1996726
flexihose:	FLEXI HOSE 10MM ODF	2464241
elkit:	ELECTRICAL BOX/PROTECTOR	1996567/2321112

For additional accessories please contact our technical support



ELECTRICAL DATA

Motor Type: CSR -
 Locked Rotor Amperage (LRA): 21.5 A
 Max.Current: 5.26 A

At maximum evaporating temperature and maximum ambient temperature.

FAN MOTOR

Number: 1 -
 Shaft Power: - W
 Air Flow: 840 m³/h
 Blade Diameter: 250 mm

PERFORMANCE CURVE DATA

Standard: EN13215-RG20 / return gas 20°C, subcooling 3K

50 Hz

	Evaporating Temperature (°C)	Cooling Capacity (W)	Power Consumption (W)	Current Consumption (A)	Efficiency (W/W)
25 °C Ambient Temperature	10°C	1 717	1 015	4.84	1.69
	5°C	1 634	913	4.35	1.79
	0°C	1 526	824	3.93	1.85
	-5°C	1 393	748	3.56	1.86
	Rated point -10°C	1 234	683	3.26	1.81
	-15°C	1 051	629	3.01	1.67
	-20°C	843	588	2.82	1.43
32 °C Ambient Temperature	10°C	1 559	1 047	4.99	1.49
	5°C	1 486	941	4.48	1.58
	0°C	1 389	849	4.04	1.64
	-5°C	1 268	769	3.66	1.65
	Rated point -10°C	1 123	703	3.35	1.60
	-15°C	955	648	3.10	1.47
	-20°C	765	607	2.92	1.26
43 °C Ambient Temperature	5°C	1 255	1 004	4.78	1.25
	0°C	1 176	903	4.30	1.30
	-5°C	1 076	816	3.89	1.32
	Rated point -10°C	955	745	3.55	1.28
	-15°C	813	687	3.28	1.18
	-20°C	651	643	3.09	1.01