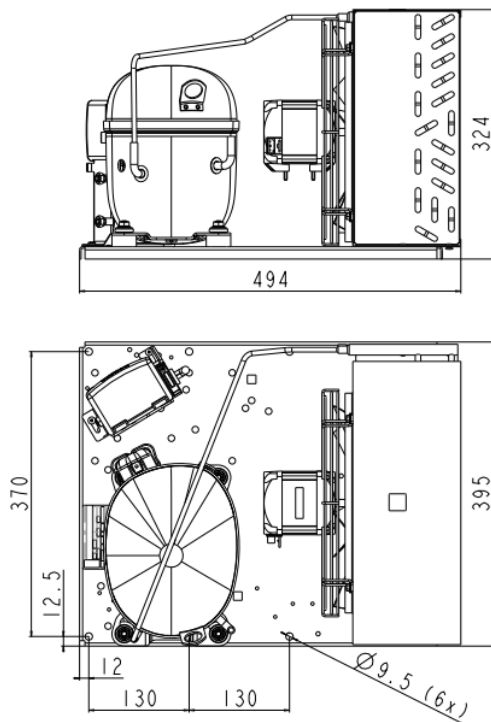


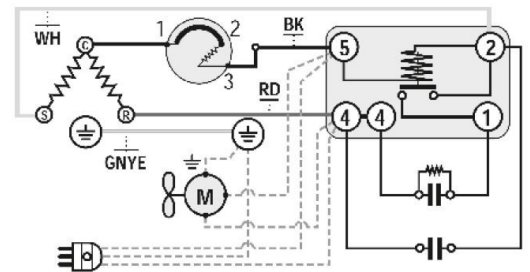
GENERAL DATA

Application:	M/HBP
Refrigerant:	R404A
Expansion Device:	C-V
Weight:	31 kg
Receiver:	0 liter
Voltage/Frequency:	115 V 60 ~
Height:	31 mm
Length:	494 mm
Width:	395 mm
Institute Approvals:	CE c RA us

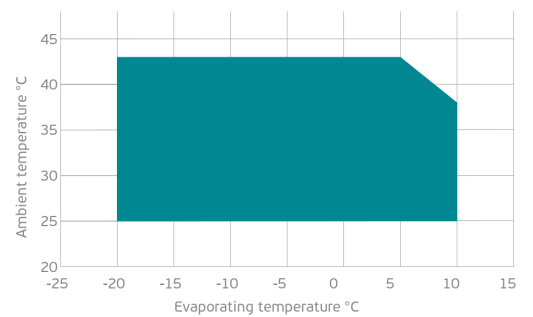
EXTERNAL DIMENSIONS



WIRING DIAGRAM



OPERATING ENVELOPE



COMPONENTS (SPARE PARTS)

condenser:	3R12T	2451140
fankit:	34W 275/31/5P	1996692

compressor:	NT6220GKV	922JG02..AC
elkit:	ELKOM NT6220GKV	922JG0204A

For additional accessories please contact our technical support

ELECTRICAL DATA

Motor Type: CSR -
Locked Rotor Amperage (LRA): 54.5 A
Max.Current: 11.85 A

At maximum evaporating temperature and maximum ambient temperature.

FAN MOTOR

Number: 1 -
Shaft Power: 34 W
Air Flow: 640 m³/h
Blade Diameter: 275 mm

PERFORMANCE CURVE DATA

Standard: EN13215-RG20 / return gas 20°C, subcooling 3K

60 Hz

	Evaporating Temperature (°C)	Cooling Capacity (W)	Power Consumption (W)	Current Consumption (A)	Efficiency (W/W)
25 °C Ambient Temperature	10°C	2 643	1 417	0.00	1.87
	5°C	2 294	1 277	0.00	1.80
	0°C	1 995	1 152	0.00	1.73
	-5°C	1 736	1 040	0.00	1.67
	Rated point -10°C	1 504	937	0.00	1.60
	-15°C	1 288	843	0.00	1.53
	-20°C	1 076	753	0.00	1.43
32 °C Ambient Temperature	10°C	2 407	1 462	0.00	1.65
	5°C	2 083	1 316	0.00	1.58
	0°C	1 809	1 187	0.00	1.52
	-5°C	1 573	1 070	0.00	1.47
	Rated point -10°C	1 365	965	0.00	1.41
	-15°C	1 171	868	0.00	1.35
	-20°C	981	777	0.00	1.26
43 °C Ambient Temperature	5°C	1 788	1 402	0.00	1.28
	0°C	1 545	1 262	0.00	1.22
	-5°C	1 340	1 136	0.00	1.18
	Rated point -10°C	1 160	1 023	0.00	1.13
	-15°C	995	919	0.00	1.08
	-20°C	832	823	0.00	1.01