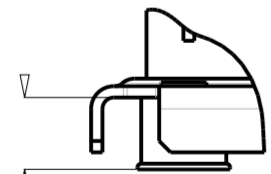


VUE SUIVANT F
View following F

PLOT CAOUTCHOUC
/Rubber grommet



SANS COMPRESSION: 38
/Without compression

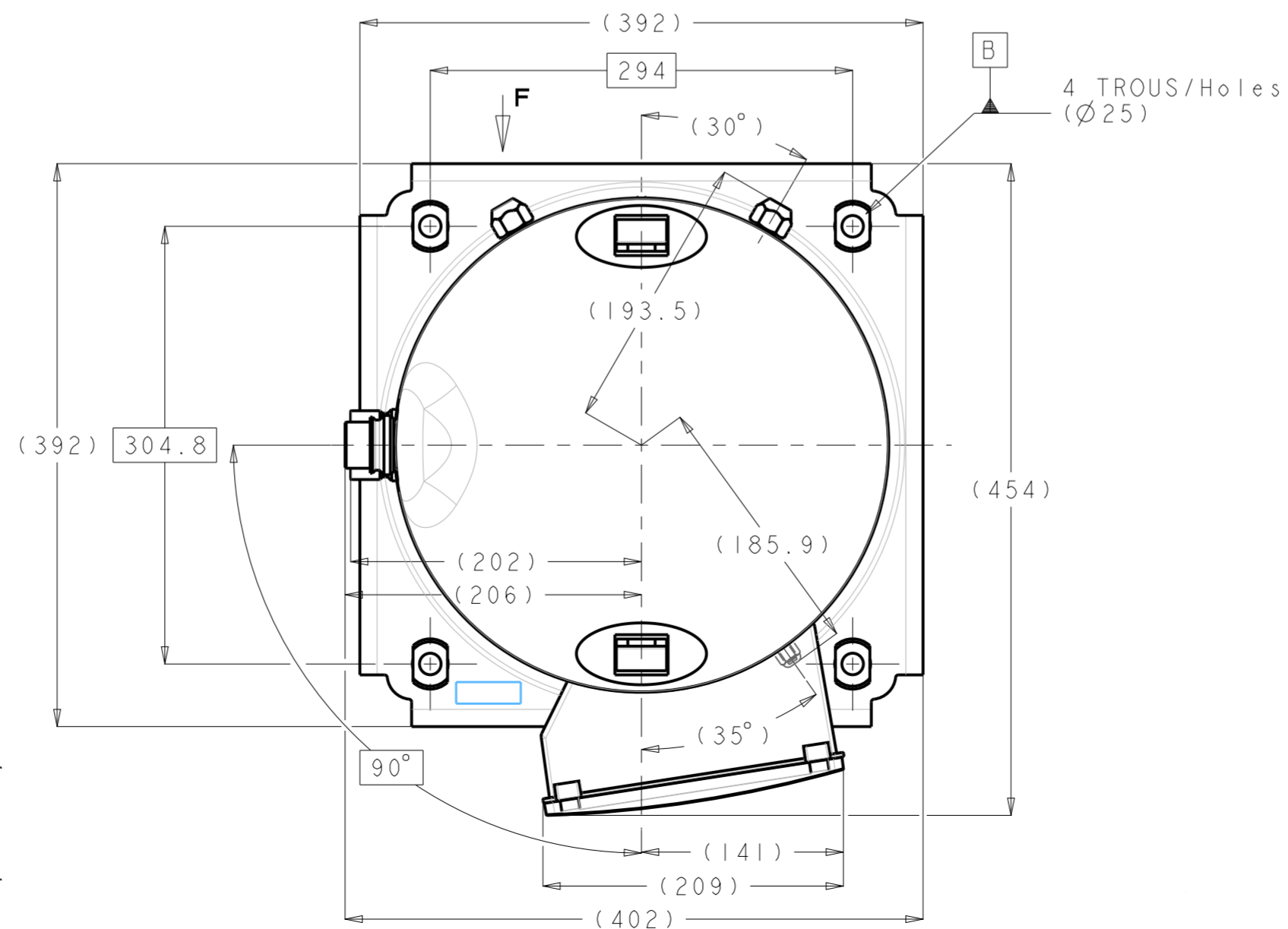
AVEC COMPRESSION: (36)
/With compression

NOTE:

1. COMPRESSEUR EQUIPE DE CLAPET ANTI-RETOUR.

Note:

1. Compressor equipped with non return valve.



REFERENCE PIECE / Part number	
8556094P01	B

Mrk.	Approval/Rev	Date	Projection	Scale	Material
Replace				1/4	ToI Gen
Design	JAP				Designation
Approval	BOP		 Danfoss Commercial Compressors	SZ/SY300 Outline Brazed	
<small>Confidential: Property of Danfoss Commercial Compressors. Not to be handed over to copied or used by third party. Two or three dimensional reproduction of contents to be authorized by Danfoss CC.</small>				ENCOMBREMENT BRASE SZ/SY300	
				No. 8556094	
			Production print		B