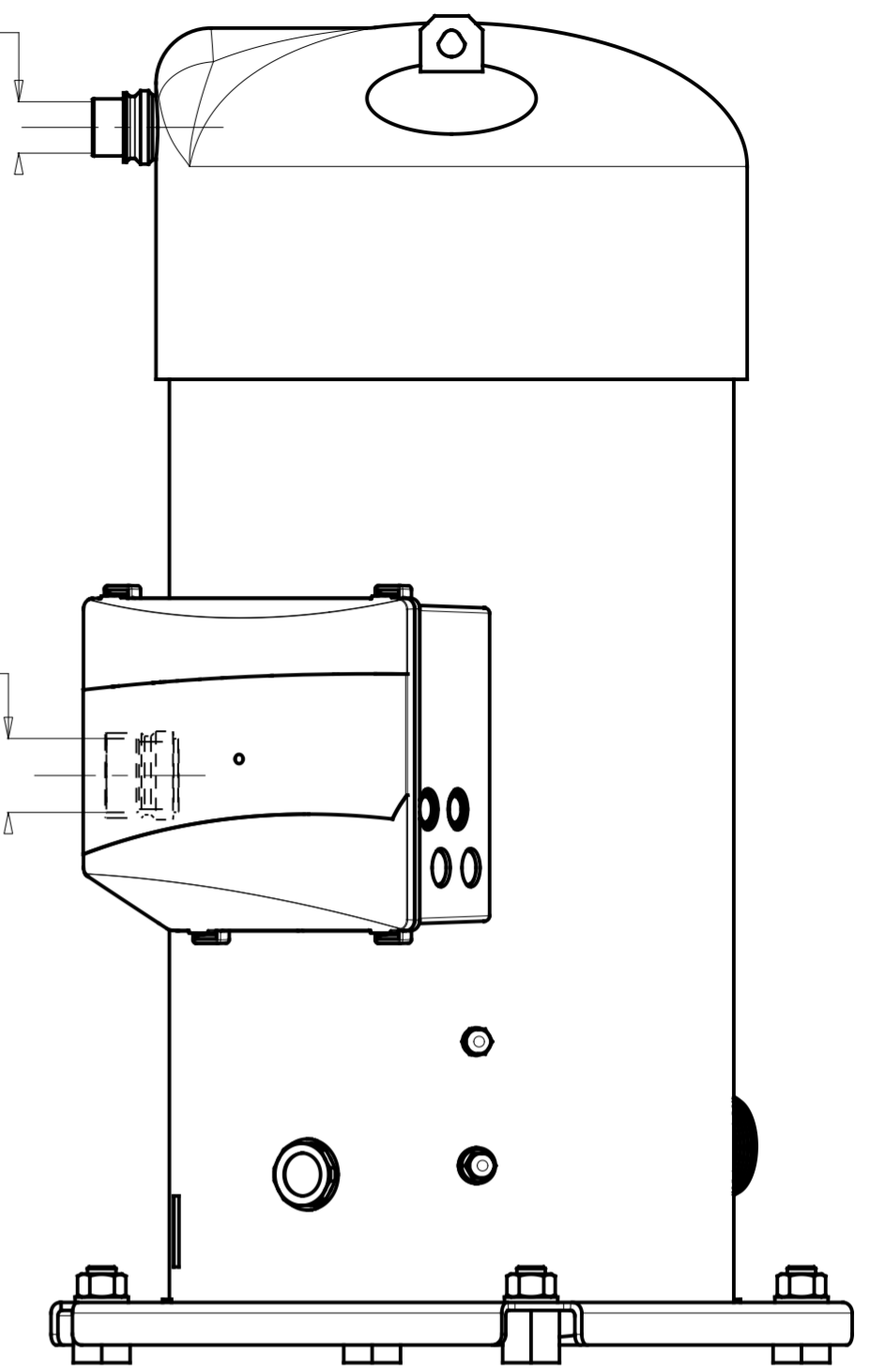
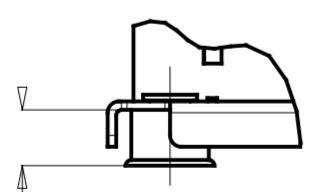


REFOULEMENT 1"1/8  
/Discharge  
 $\oplus 0.4/10 \text{ A B}$

ASPIRATION 1"5/8  
/Suction  
 $\oplus 0.4/10 \text{ A B}$



PLOT CAOUTCHOUC  
/Rubber grommet



SANS COMPRESSION: (29.5)  
/Without compression  
AVEC COMPRESSION: (27.5)  
/With compression

Notes:

- Compressor equipped with non return valve.
- Nameplate PED data following 8550109.

REFERENCE PIECE / Part number  
8556091P01B

General Tolerances Table	Drawing Status :			Production print			Key characteristic Critical characteristic According to Danfoss standard 50220024 Material : See Notes Designation DSH381 / SH380 Outline Brazed Sheet 1 of 1 C.10 Dwg N° 8556091
	Surface Area (m2)	Estimated Mass (Kg)	Projection	Scale	Size		
Roughness (µm)	C	ECR-2014-6459	25/03/15	1/4	A2		
	Revision	ECR Number	Date				
	Designer	Ma Hongtao					
	Approval	Genevois David					
ISO 8015 ISO 1101	Confidential: Property of Danfoss Commercial Compressors. Not to be handed over to copied or used by third party. Two or three dimensional reproduction of contents to be authorized by Danfoss CC.						

C